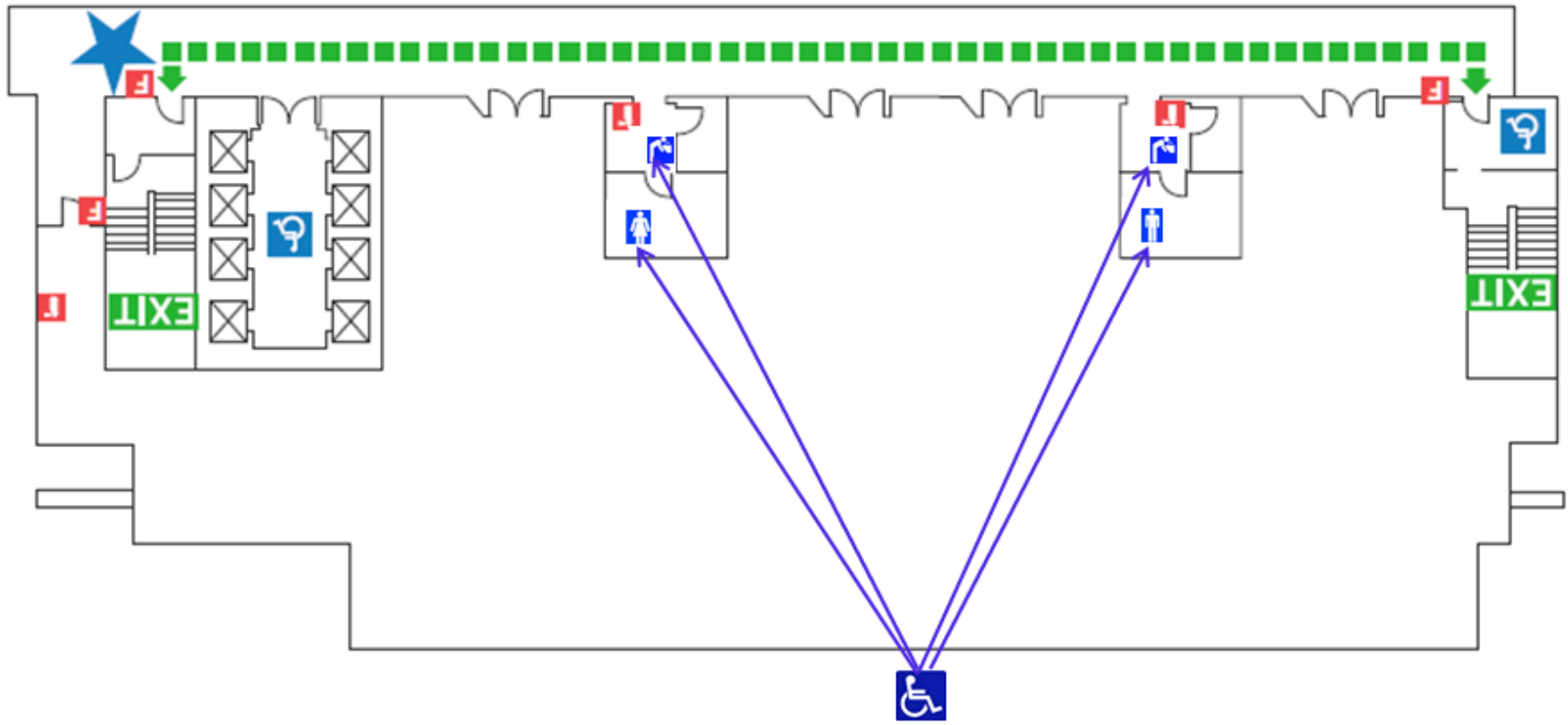


# SBJC TOWER 2<sup>ND</sup> FLOOR

WEST THIRD STREET



 AREA OF REFUGE

 FIRE ALARM

 FIRE EXTINGUISHER

Accessible Restrooms  
Male/Female and drinking fountain